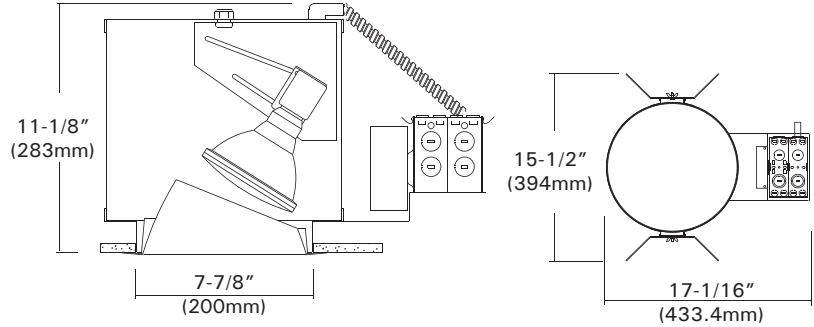


# DL-8580H

8" Architectural Frame Internally Adjustable Wall Wash & Directional Metal Halide PAR38 (CMH) Lamps

Catalog #		Type
Project		Date
Prepared by		

## METAL HALIDE



### DESCRIPTION

The 8" with wall wash reflector with convex lens for smooth illumination on vertical surface, or with open wall wash slope reflector for Metal Halide PAR lamp directional 0~42° tilt and 358° rotation with positive locking.

### DESIGN FEATURES

Ceiling Cut-out : 8-1/16"  
Lamp, Max, Watt. : 100W / PAR38CMH

#### ◦ Housing

- C-UL listed, NON-IC, thermally protected housing for vertical PAR38CMH lamps.
- Black painted heavy metal housing and compact frames designed to fit in commercial / architectural construction.
- 1-5/8" deep collar may use for various thickness of ceiling materials.

#### ◦ Junction Box

- Listed for through branch circuit wiring. (Max. 8 No 12 AWG 90°C branch circuit conductors. (4 in, 4 out)
- (5) 1/2" knockouts with true pry-out slots and (4) knockouts with Romex cable clamp.
- Ground wire provided on J-box.

#### ◦ Mounting Channel Bracket

- Commercial mounting kit provided up to 5" vertical adjustment, which accommodates 1/2" EMT conduit, optional HB-24 or HBC-24 bar hanger or lathing channels for T-bar grid or concealed spline ceiling.

#### ◦ Trims

- Lens wall wash and open wall wash reflectors, also available slope baffle trims.

#### ◦ Direction adjustment

- Adjustable lamp direction in 358° rotation and 0~42° tilt with positive locking mechanism in adjustable bracket.

#### ◦ Electronic Ballast

- 120 and 277 volts for 50/60Hz operation high power factor class A sound rated.
- These frames may install only electronic ballast and can be provided with magnetic ballast in a remote box.

#### ◦ Thermal Protector

- Self resetting thermal detector on J-box deactivates fixture if overheating occurs due to improper lamping or misapplied insulation.

#### \* Listing

- UL, c-UL listed for damp location.
- UL, c-UL listed for feed through.

### Ordering Information

Housing	Ballast	Lamp(s) Watt.	Voltage	Option
DL-8580H	-E : Electronic Metal Halide HID Ballast	39 : 39W    70 : 70W 50 : 50W    100 : 100W	-Blank : 120V -27 : 277V	

Example : DL-8580H-E100

# Trims

## 8" Internally Adjustable Wall Wash Trims For

DL-8580A, DL-8581A, DL-8580H, DL-8581H, DL-8580TH

Catalog #		Type
Project		Date
Prepared by		

### INCANDESCENT & METAL HALIDE

#### TM-825B

**Slope Baffle**  
*PAR38, T6*

White Metal Trim Ring  
O.D : 8-7/8"



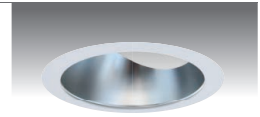
TM-825B-WH

TM-825B-BK

#### TM-825R

**Slope Clear Reflector**  
*PAR38, T6*

White Metal Trim Ring  
O.D : 8-7/8"



TM-825R-HC

#### TM-825BG

**Slope Baffle w/ Convex Prismatic Lens**  
*PAR38, T6*

White Metal Trim Ring  
O.D : 8-7/8"



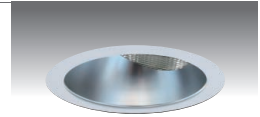
TM-825BG-WH

TM-825BG-BK

#### TM-825RG

**Slope Reflector w/ Convex Prismatic Lens**  
*PAR38, T6*

White Metal Trim Ring  
O.D : 8-7/8"

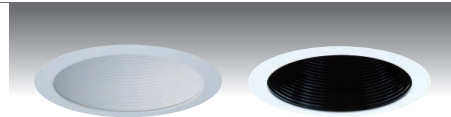


TM-825RG-HC

#### TM-855B

**Straight Baffle**  
*PAR38, T6*

White Metal Trim Ring  
O.D : 8-7/8"



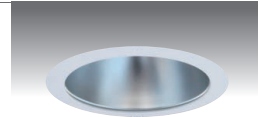
TM-855B-WH

TM-855B-BK

#### TM-855R

**Straight Reflector**  
*PAR38, T6*

White Metal Trim Ring  
O.D : 8-7/8"



TM-855R-HC

### ORDERING INFORMATION

Choose the catalog / finish codes that best suit your needs and enter it on the appropriate line.

TRIM MODEL	REFLECTOR	LENS	BAFFLE	METAL RING
	CL :Clear	FR :Fresnel	WH :White	WH :White
	WH :White	AS :All Sanded	BK :Black	BK :Black
	GD :Gold	CL :Clear	SN :Satin Nickel	SN :Satin Nickel
	MA :Matte Platinum	CV :Convex Prismatic	AN :Antique Nickel	AN :Antique Nickel
	CP :Champagne	AL :Albalite	AC :Antique Copper	AC :Antique Copper
	PR :Pewter	SPL :Comfort Linear	MO :Mocha	MO :Mocha
	HC :Haze Clear		CA :Cappuccino	CA :Cappuccino
			CH :Chrome	CH :Chrome
			UN :Natural Steel	UN :Natural Steel
			PB :Polished Brass	PB :Polished Brass

Examples:

TM-825R-HC-WH = White Trim Ring w/Slope Clear Reflector

TM-855R-HC-WH = White Trim Ring w/ Straight Haze Clear Reflector